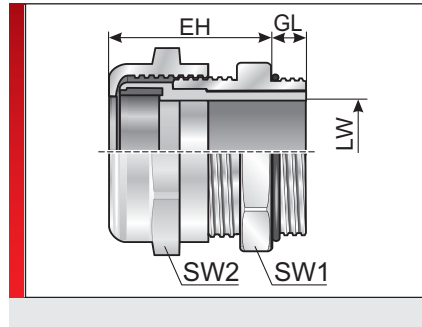


## Type MWKM (metal version with multi-insert)



Cable fitting

### PRODUCT INFORMATION

The MWKM is a metal cable fitting made of nickel-plated brass, specially modified polyamide and an additional multi-insert that makes it possible to run multiple lines through a cable fitting.

The MWKM cable fittings feature the follow-

ing advantages:

- Integrated multi-insert
- High tightness
- Easy to assemble
- Type OR O-ring included in delivery

### SPECIFICATIONS

- Fitting: Brass nickel-plated  
Clamping ring Mod. polyamide PA 6  
IP 65
- IP 68 with optimum configuration and with additional O-ring, type OR
- 40 – 100 °C transient / short term  
120 °C



Type	Order No.	Connecting thread	EH mm	GL mm	SW 1 / 2 mm	Pack qty.
MWKM-Pg 09-2x3 <sup>1)</sup>	84121810	Pg 09	21.00	6.00	17.00 / 17.00	50
MWKM-Pg 09-4x1.4 <sup>1)</sup>	84121812	Pg 09	21.00	6.00	17.00 / 17.00	50
MWKM-Pg 11-2x3 <sup>1)</sup>	84121814	Pg 11	22.00	6.00	20.00 / 20.00	50
MWKM-Pg 11-2x4 <sup>1)</sup>	84121816	Pg 11	22.00	6.00	20.00 / 20.00	50
MWKM-Pg 11-3x3 <sup>1)</sup>	84121818	Pg 11	22.00	6.00	20.00 / 20.00	50
MWKM-Pg 13.5-2x5 <sup>1)</sup>	84121820	Pg 13.5	24.00	6.50	22.00 / 22.00	50
MWKM-Pg 13.5-3x2 <sup>1)</sup>	84121822	Pg 13.5	24.00	6.50	22.00 / 22.00	50
MWKM-Pg 13.5-3x4 <sup>1)</sup>	84121824	Pg 13.5	24.00	6.50	22.00 / 22.00	50
MWKM-Pg 13.5-6x3 <sup>1)</sup>	84121826	Pg 13.5	22.00	6.50	22.00 / 22.00	50
MWKM-Pg 16-2x6 <sup>1)</sup>	84121828	Pg 16	23.00	6.50	24.00 / 24.00	50
MWKM-Pg 16-3x3 <sup>1)</sup>	84121830	Pg 16	23.00	6.50	24.00 / 24.00	50
MWKM-Pg 16-3x4 <sup>1)</sup>	84121832	Pg 16	23.00	6.50	24.00 / 24.00	50
MWKM-Pg 16-3x6 <sup>1)</sup>	84121834	Pg 16	23.00	6.50	24.00 / 24.00	50
MWKM-Pg 16-4x4 <sup>1)</sup>	84121836	Pg 16	23.00	6.50	24.00 / 24.00	50
MWKM-Pg 16-5x4 <sup>1)</sup>	84121838	Pg 16	23.00	6.50	24.00 / 24.00	50
MWKM-Pg 16-6x4 <sup>1)</sup>	84121840	Pg 16	23.00	6.50	24.00 / 24.00	50
MWKM-Pg 21-2x8 <sup>1)</sup>	84121842	Pg 21	24.00	7.00	30.00 / 30.00	25
MWKM-Pg 21-3x7 <sup>1)</sup>	84121844	Pg 21	24.00	7.00	30.00 / 30.00	25
MWKM-Pg 21-4x6 <sup>1)</sup>	84121846	Pg 21	24.00	7.00	30.00 / 30.00	25

<sup>1)</sup>With cURus- approval

### MATERIAL PROPERTIES

- Fitting: Brass nickel-plated  
Clamping ring Mod. polyamide PA 6

## Type MWKM (metal version with multi-insert)

### MECHANICAL PROPERTIES



#### Protection class

IP 65

IP 68 with optimum configuration and with additional O-ring, type OR

### THERMAL PROPERTIES



#### Temperature / temperature range

-40 – 100 °C transient / short term 120 °C

### APPROVALS AND OPERATING PERMITS



CSA approval



GL approval



cURus approval

### CONFORMITY



RoHS (EC Directive 2002/95/EC)

All details given in our sales material prospectuses and catalogues as well as the information available online are based on our current knowledge of the products described.

The electronic data and files made available by Murrplastik, particularly CAD files are based on our current knowledge of the product described.

A legally binding assurance of certain properties or the suitability for a certain purpose can not be determined from this information.

All information with respect to the chemical and physical properties of Murrplastik products as well as application advice given verbally, in writing or by tests, is given to the best of our knowledge.

This does not free the purchaser of carrying out their own inspections and tests in order to determine the suitability of a product for a specific purpose.

Murrplastik accepts no responsibility for the available information being up-to-date, correct or complete. Neither do we accept responsibility for the quality of this information.

Murrplastik accepts no liability for damage caused as a result of using our products.

Murrplastik reserves the right to make technical changes and improvements through constant further development of products and services.

Our General Terms and Conditions apply.

© Murrplastik Systemtechnik GmbH • proID\_66108~20170121~890284~suv\_mwkm\_me