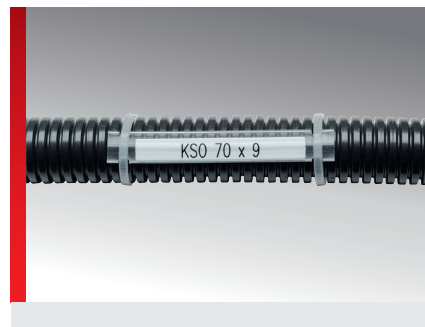
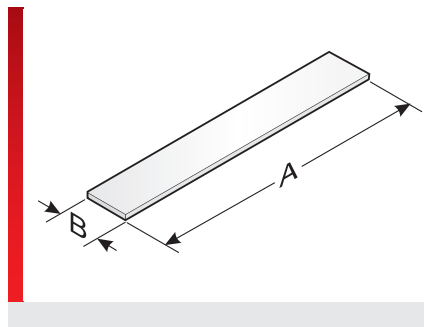
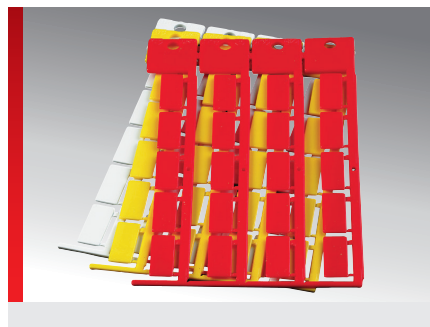


## KSO label plate



Single wire, cable, and conduit labelling

### PRODUCT INFORMATION

High-quality, halogen-free, universal label for single-line and multi-line inscriptions.

- Available in various lengths and colours.
- The large printable area at the top provides room to reference individual

projects.

The KSO label is mounted on cables, lines or conduits with KT series sleeves or the KM, KMH, KMH/Q carriers.

### SPECIFICATIONS

- Polycarbonate (PC)
- 40 – 130 °C
- V0
- Single-line and multi-line inscription

HF

Type	Order No.	Colour	RAL equiv.	Label size mm (B x A)	Title space mm	No. characters/lines	No. per frame	Base plate	Software Type	Pack qty.
<b>Label length 20 mm</b>										
KSO 20x9	86421028	White	9016	9.00 x 20.00	9.00 x 20.00	11 / 2	20	GP4	64	680
KSO 20x9	86421080	Yellow	1018	9.00 x 20.00	9.00 x 20.00	11 / 2	20	GP4	65G	680
KSO 20x9	86421030	Red	2012	9.00 x 20.00	9.00 x 20.00	11 / 2	20	GP4	65R	680
<b>Label length 70 mm</b>										
KSO 70x9	86421082	White	9016	9.00 x 70.00	9.00 x 70.00	38 / 2	11	GP5	280	330
KSO 70x9	86421083	Yellow	1018	9.00 x 70.00	9.00 x 70.00	38 / 2	11	GP5	282	330
KSO 70x9	86421084	Red	2012	9.00 x 70.00	9.00 x 70.00	38 / 2	11	GP5	281	330

### MATERIAL PROPERTIES

Polycarbonate (PC)

### THERMAL PROPERTIES


**Temperature / temperature range**  
-40 – 130 °C

### FIRE BEHAVIOUR

**Fire classification**  
V0

## KSO label plate

### GENERAL TECHNICAL DATA

-  Single-line and multi-line inscription

### TECHNICAL INFORMATION

-  Halogen-free

### INSTALLATION METHOD

-  Cable tie system with sleeves

### LABELLING TECHNOLOGY

-  Plotter
-  Laser devices
-  Inkjet

All details given in our sales material prospectuses and catalogues as well as the information available online are based on our current knowledge of the products described.

The electronic data and files made available by Murrplastik, particularly CAD files are based on our current knowledge of the product described.

A legally binding assurance of certain properties or the suitability for a certain purpose can not be determined from this information.

All information with respect to the chemical and physical properties of Murrplastik products as well as application advice given verbally, in writing or by tests, is given to the best of our knowledge.

This does not free the purchaser of carrying out their own inspections and tests in order to determine the suitability of a product for a specific purpose.

Murrplastik accepts no responsibility for the available information being up-to-date, correct or complete. Neither do we accept responsibility for the quality of this information.

Murrplastik accepts no liability for damage caused as a result of using our products.

Murrplastik reserves the right to make technical changes and improvements through constant further development of products and services.

Our General Terms and Conditions apply.

© Murrplastik Systemtechnik GmbH • proID\_115054~20170818~890286~acs\_mod\_kso