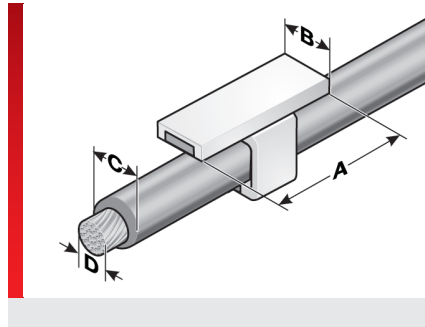
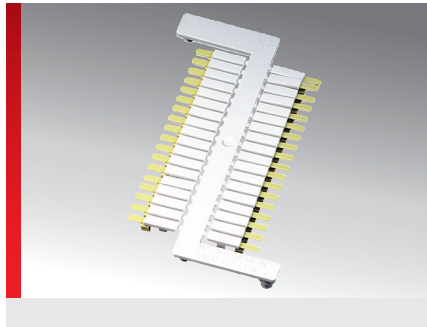


KSN label plate



Single wire, cable, and conduit labelling

PRODUCT INFORMATION

High-quality, halogen-free label for subsequent direct labelling of wires. The KSN label can be attached to wired single cores without disconnecting them.

MW1 assembly tool.

- Available in three sizes for wire cross-sections of 0.5 - 2.5 mm².

They can be fitted easily and quickly with the

SPECIFICATIONS

- Polycarbonate (PC)
- 40 – 130 °C
- V0
- Single-line inscription. Retrofitting.

HF

Type	Order No.	Colour	RAL equiv.	Application range from - to Ø mm (C)	Wire Cross-section from - to mm ² (D)	Label size mm (B x A)	Title space mm	No. characters/ frame	No. per plate	Base plate Type	Soft-ware Type	Pack qty.
KSN-A	86381410	White	9016	2.10 – 2.50	0.50 – 0.75	5.00 x 14.00	5.00 x 14.00	7 / 1	36	none	12	360
KSN-B	86381412	White	9016	2.60 – 3.00	1.00 – 1.50	5.00 x 14.00	5.00 x 14.00	7 / 1	36	none	13	360
KSN-C	86381414	White	9016	3.00 – 3.70	1.75 – 2.50	5.00 x 14.00	5.00 x 14.00	7 / 1	36	none	14	360
KSN sample set, consisting of 1 each of KSN frame, MW1 installation tools and MPKSN mounting plate												
KSN sample set	86391010	Materialtypisch										1
Assembly tool												
MW 1	86381610	Materialtypisch										1
Mounting plate												
MPKSN	86381612	Materialtypisch										1

MATERIAL PROPERTIES

Polycarbonate (PC)

THERMAL PROPERTIES

Temperature / temperature range
-40 – 130 °C

KSN label plate

FIRE BEHAVIOUR



Fire classification
V0

GENERAL TECHNICAL DATA



Single-line inscription. Retrofitting.

TECHNICAL INFORMATION



Halogen-free

INSTALLATION METHOD



Clamping system

LABELLING TECHNOLOGY



Plotter



Laser devices



Inkjet

All details given in our sales material prospectuses and catalogues as well as the information available online are based on our current knowledge of the products described.

The electronic data and files made available by Murrplastik, particularly CAD files are based on our current knowledge of the product described.

A legally binding assurance of certain properties or the suitability for a certain purpose can not be determined from this information.

All information with respect to the chemical and physical properties of Murrplastik products as well as application advice given verbally, in writing or by tests, is given to the best of our knowledge.

This does not free the purchaser of carrying out their own inspections and tests in order to determine the suitability of a product for a specific purpose.

Murrplastik accepts no responsibility for the available information being up-to-date, correct or complete. Neither do we accept responsibility for the quality of this information.

Murrplastik accepts no liability for damage caused as a result of using our products.

Murrplastik reserves the right to make technical changes and improvements through constant further development of products and services.

Our General Terms and Conditions apply.

© Murrplastik Systemtechnik GmbH • proID_60223~20170731~890286~acs_mod_ksn