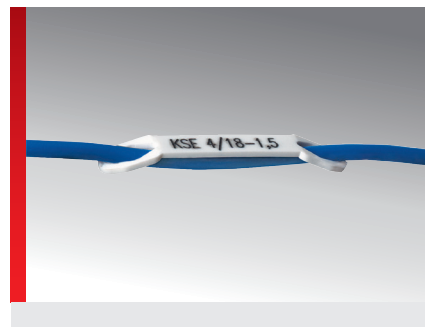
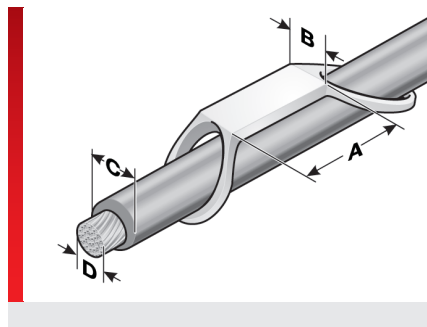


## KSE label plate



Single wire, cable, and conduit labelling

### PRODUCT INFORMATION

The KSE label plates are pushed directly onto the single wires.

- Two sizes cover the wire cross sections from 0.25 – 1.5 mm<sup>2</sup>.
- Available in white.

### SPECIFICATIONS

- Polycarbonate (PC)
- 40 – 130 °C
- V0
- Single-line inscription

HF

Type	Order No.	Colour	RAL equiv.	Application range from - to Ø mm (C)	Wire Cross-section from - to mm <sup>2</sup> (D)	Label size mm (B x A)	Title space mm	No. characters/ lines	No. per frame	Base plate	Software Type	Pack qty.
<b>Usable label length 10 mm</b>												
KSE 4/10-0,75	86381010	White	9016	1.50 – 2.50	0.25 – 0.75	6.00 x 18.00	4.00 x 10.00	5 / 1	60	GRPD/10	92	1500
KSE 4/10-1,5	86381012	White	9016	2.50 – 3.00	0.75 – 1.50	6.00 x 18.00	4.00 x 10.00	5 / 1	60	GRPD/10	93	1500
<b>Usable label length 18 mm</b>												
KSE 4/18-1,5	86381014	White	9016	2.50 – 3.00	0.75 – 1.50	6.00 x 26.00	4.00 x 18.00	10 / 1	40	GRPD/18	94	1000

### MATERIAL PROPERTIES

Polycarbonate (PC)

### THERMAL PROPERTIES

**Temperature / temperature range**  
-40 – 130 °C

### FIRE BEHAVIOUR

**Fire classification**  
V0

### GENERAL TECHNICAL DATA

Single-line inscription

## KSE label plate

### TECHNICAL INFORMATION

**HF** Halogen-free

### INSTALLATION METHOD

 Direct labelling system

### LABELLING TECHNOLOGY

 Plotter

 Laser devices

 Inkjet

All details given in our sales material prospectuses and catalogues as well as the information available online are based on our current knowledge of the products described.

The electronic data and files made available by Murrplastik, particularly CAD files are based on our current knowledge of the product described.

A legally binding assurance of certain properties or the suitability for a certain purpose can not be determined from this information.

All information with respect to the chemical and physical properties of Murrplastik products as well as application advice given verbally, in writing or by tests, is given to the best of our knowledge.

This does not free the purchaser of carrying out their own inspections and tests in order to determine the suitability of a product for a specific purpose.

Murrplastik accepts no responsibility for the available information being up-to-date, correct or complete. Neither do we accept responsibility for the quality of this information.

Murrplastik accepts no liability for damage caused as a result of using our products.

Murrplastik reserves the right to make technical changes and improvements through constant further development of products and services.

Our General Terms and Conditions apply.

© Murrplastik Systemtechnik GmbH • proID\_60219~20170731~890286~acs\_mod\_kse