

KMH/Q label holder (halogen-free / high packing density)

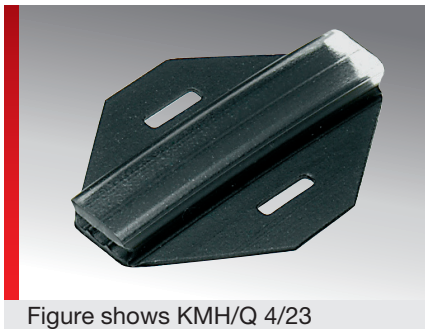
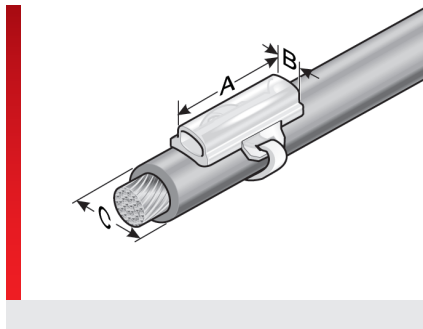


Figure shows KMH/Q 4/23



Single wire, cable, and conduit labelling

PRODUCT INFORMATION

High-quality, halogen-free, two-part label holders for the highest demands in the labelling of wires, cables and conduits. KMH/Q label holders for BK idents and type KS labels.

- The label holders are fixed in place with

- cable ties.
 - It matches the appearance of label sleeve KTH/Q.

SPECIFICATIONS

- TPU
- 40 – 100 °C transient / short term 160 °C
- V0
- Halogen-free

Type	Order No.	Length mm (A)	Width mm (B)	Recommended Label plate	No. idents BK23 / BK30	Cable ties max. width mm	Recommended min. diameter mm (C)	Pack qty.
Labelling lengthwise on the line/the conduit, single line of print (centred cable ties position)								
KMH/Q 4/23	86223610	23.00	4.00	KS 4/x	10 / 7	5.00	5.00	1000
Labelling lengthwise on the line/the conduit, single line of print (off centre cable ties position)								
KMH/Q 4/30	86223612	30.00	4.00	KS 4/x	13 / 10	5.00	5.00	1000

MATERIAL PROPERTIES

TPU

THERMAL PROPERTIES

Temperature / temperature range
-40 – 100 °C transient / short term 160 °C

FIRE BEHAVIOUR

Fire classification
V0

GENERAL TECHNICAL DATA

Halogen-free

KMH/Q label holder (halogen-free / high packing density)

APPROVALS AND OPERATING PERMITS



Railway EU approval
EN 45545-2 : 2016

TECHNICAL INFORMATION



HF Halogen-free

INSTALLATION METHOD



Cable tie system with sleeves

All details given in our sales material prospectuses and catalogues as well as the information available online are based on our current knowledge of the products described.

The electronic data and files made available by Murrplastik, particularly CAD files are based on our current knowledge of the product described.

A legally binding assurance of certain properties or the suitability for a certain purpose can not be determined from this information.

All information with respect to the chemical and physical properties of Murrplastik products as well as application advice given verbally, in writing or by tests, is given to the best of our knowledge.

This does not free the purchaser of carrying out their own inspections and tests in order to determine the suitability of a product for a specific purpose.

Murrplastik accepts no responsibility for the available information being up-to-date, correct or complete. Neither do we accept responsibility for the quality of this information.

Murrplastik accepts no liability for damage caused as a result of using our products.

Murrplastik reserves the right to make technical changes and improvements through constant further development of products and services.

Our General Terms and Conditions apply.

© Murrplastik Systemtechnik GmbH • prod_60110~20170731~890286~acs_mod_kmhq