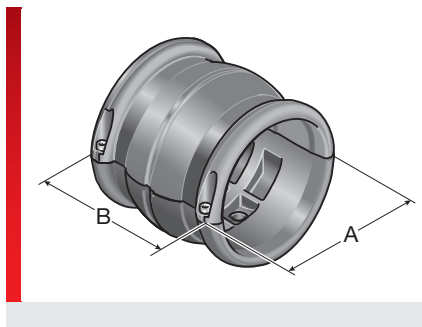


KMG/G ball bearing



PRODUCT INFORMATION

The KMG-G is mainly used for dynamic applications, as you may find in robots and other movable handling devices. The detachably connected type KMG-G centre ball joint can be mounted at the SH system holder easily and quickly. The KMG-G facilitates a smooth gliding movement through the longitudinal axis whenever the cable pro-

tection conduit is moving in the longitudinal direction. This makes the KMG-G the perfect fastening system of the Murrflex cable protection conduits to the SH system holder. Therefore lines and cables can be routed and protected with absolute process protection and length adaptability, even in highly dynamic applications.

SPECIFICATIONS

- Mod. polyamide
- 40 – 110 °C
- V0

HF
 RoHS
 Made in Germany

Type	Order No.	Colour	Suitable for Murrflex	Suitable for System holder	Version	A mm	B mm	Pack qty.
KMG/G-M25	83691858	Black	M25/P21	SH-P / M25-M32	separable	42.50	36.00	1
KMG/G-M32	83691860	Black	M32/P29	SH-P / M25-M32	separable	42.50	36.00	1
KMG/G-M40	83691862	Black	M40/P36	SH-P / M40-M50	separable	70.00	70.00	1
KMG/G-M50	83691864	Black	M50/P48	SH-P / M40-M50	separable	70.00	70.00	1

Mod. polyamide

THERMAL PROPERTIES

Temperature / temperature range
-40 – 110 °C

FIRE BEHAVIOUR

Fire classification
V0

TECHNICAL INFORMATION

HF Halogen-free

CONFORMITY

RoHS (EC Directive 2011/65/EC)

KMG/G ball bearing

APPROVALS AND OPERATING PERMITS



ROBI approval



Made in Germany

All details given in our sales material prospectuses and catalogues as well as the information available online are based on our current knowledge of the products described.

The electronic data and files made available by Murrplastik, particularly CAD files are based on our current knowledge of the product described.

A legally binding assurance of certain properties or the suitability for a certain purpose can not be determined from this information.

All information with respect to the chemical and physical properties of Murrplastik products as well as application advice given verbally, in writing or by tests, is given to the best of our knowledge.

This does not free the purchaser of carrying out their own inspections and tests in order to determine the suitability of a product for a specific purpose.

Murrplastik accepts no responsibility for the available information being up-to-date, correct or complete. Neither do we accept responsibility for the quality of this information.

Murrplastik accepts no liability for damage caused as a result of using our products.

Murrplastik reserves the right to make technical changes and improvements through constant further development of products and services.

Our General Terms and Conditions apply.

© Murrplastik Systemtechnik GmbH • proID_96610~20180112~890283~aur_kug_kmg_g