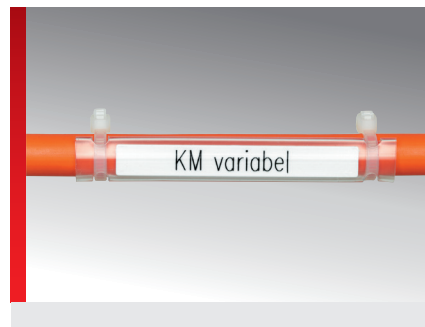
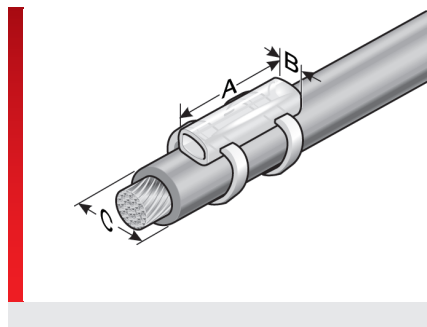


KM label holder (standard holder, variable length)



PRODUCT INFORMATION

Individual label holders for labelling wires, cables and conduits. The KM variable length label holders can be cut to any length and are used to hold the KS and KSO label plates.

- The label holders are fixed in place with cable ties.

The KM-T10 multi-purpose tool can be used to cut the label holders to convenient lengths (A) for specific purposes. The tool can process KM 9 and KM 15 materials without resetting. The ACS special function tool KM-T10 is listed in "accessories".

SPECIFICATIONS

	Polyvinyl chloride (PVC)
	-40 – 60 °C
	V0
	Individual length

Type	Order No.	Colour	Length mm	Width mm (B)	Recommended Label plate	Cable ties max. width mm	Recommended min. diameter mm (C)	Pack qty.
Labelling lengthwise to the cable/the hose, one or more lines of print								
KM 9/10000	86321070	Transparent	10000.00	9.00	KSO 9/x	5.00	5.00	1
KM 15/10000	86321072	Transparent	10000.00	15.00	KS 15/x	5.00	10.00	1

MATERIAL PROPERTIES

Polyvinyl chloride (PVC)

THERMAL PROPERTIES

Temperature / temperature range
-40 – 60 °C

FIRE BEHAVIOUR

Fire classification
V0

GENERAL TECHNICAL DATA

Individual length

INSTALLATION METHOD

Cable tie system with sleeves

KM label holder (standard holder, variable length)

All details given in our sales material prospectuses and catalogues as well as the information available online are based on our current knowledge of the products described.

The electronic data and files made available by Murrplastik, particularly CAD files are based on our current knowledge of the product described.

A legally binding assurance of certain properties or the suitability for a certain purpose can not be determined from this information.

All information with respect to the chemical and physical properties of Murrplastik products as well as application advice given verbally, in writing or by tests, is given to the best of our knowledge.

This does not free the purchaser of carrying out their own inspections and tests in order to determine the suitability of a product for a specific purpose.

Murrplastik accepts no responsibility for the available information being up-to-date, correct or complete. Neither do we accept responsibility for the quality of this information.

Murrplastik accepts no liability for damage caused as a result of using our products.

Murrplastik reserves the right to make technical changes and improvements through constant further development of products and services.

Our General Terms and Conditions apply.