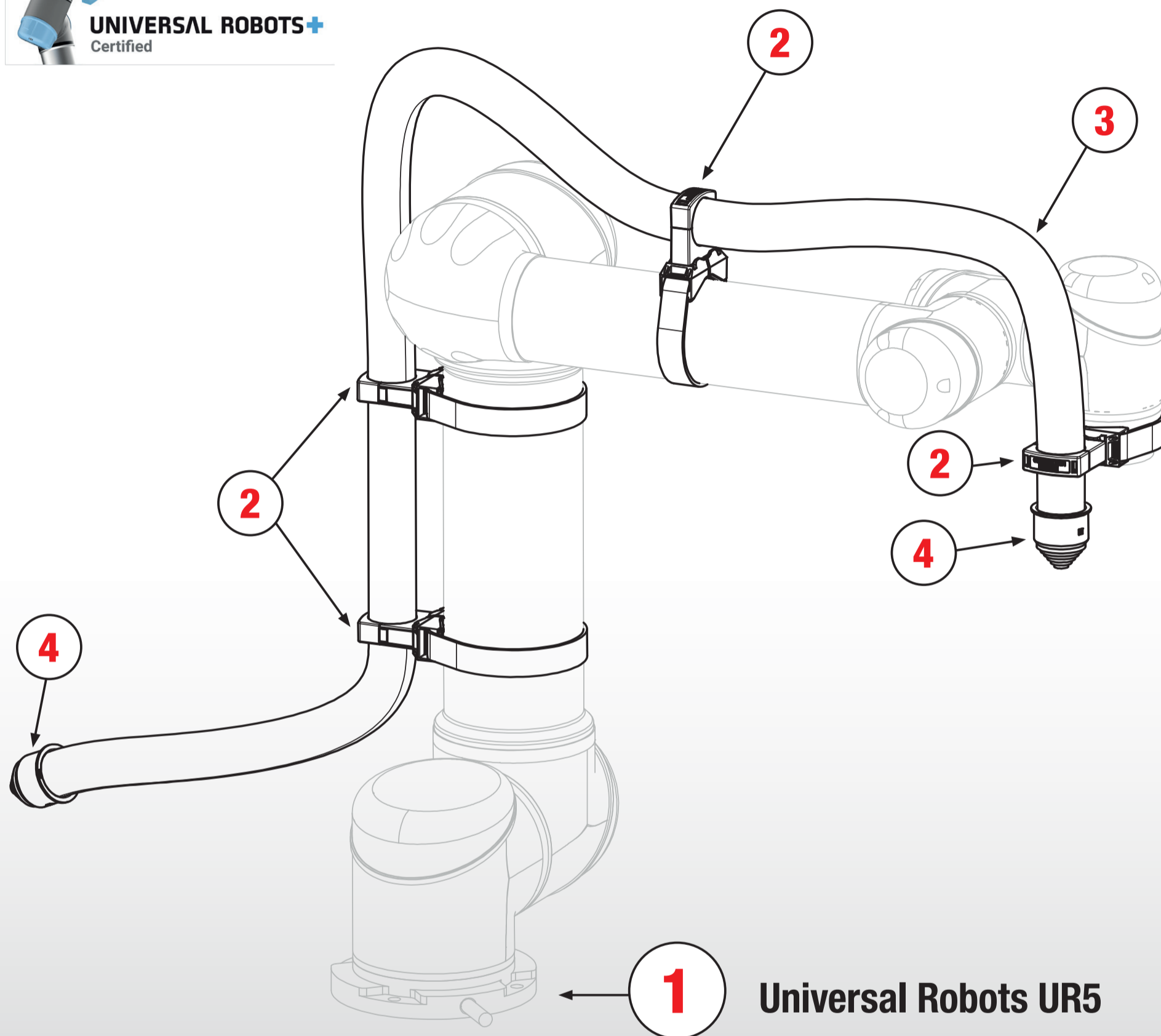


FHS-UHE-SET UR5

BESTELLNUMMER/ ORDER NO.: 83693489



POS.	VE / QTY.	TYP / TYPE	BESTELLNUMMER / ORDER NO.
1	1	Universal Robots UR5	
2	4	FHS-UHE M32/P29 350	83693466
3	1	EWX-PP-LS M32/P29	83203060
4	2	ET 29	83723460

FHS – DAS FLEXIBLE HALTERSYSTEM FÜR DIE DIREKTE BEFESTIGUNG AM ROBOTER



FHS – THE FLEXIBLE HOLDER SYSTEM FOR DIRECT FASTENING

www.murrplastik.de

BEST.-NR./ORDER NO.	TYP / TYPE
FHS-C-Set	
83693480	FHS-C-Set UR3
83693482	FHS-C-Set UR5
83693484	FHS-C-Set UR10



BEST.-NR./ORDER NO.	TYP / TYPE
FHS-SH-Set	
83693491	FHS-SH-Set UR3
83693492	FHS-SH-Set UR5
83693493	FHS-SH-Set UR10



BEST.-NR./ORDER NO.	TYP / TYPE
FHS-UHE-Set	
83693494	FHS-UHE-Set UR3
83693489	FHS-UHE-Set UR5
83693490	FHS-UHE-Set UR10



BEST.-NR./ORDER NO.	TYP / TYPE
FHS-RS-Set	
83693495	FHS-RS-Set UR5
83693496	FHS-RS-Set UR10



BEST.-NR./ORDER NO.	TYP / TYPE
83693411	FHS-RS EW 21 - 20N
83693412	FHS-RS EWX 21 - 20N
83693413	FHS-RS EW 29 - 20N
83693414	FHS-RS EWX 29 - 20N



BEST.-NR./ORDER NO.	TYP / TYPE
83693442	FHS-C Set*
83693443	FHS-C 350
83693445	FHS-C 450
83693447	FHS-C 550
83693449	FHS-C 750



83693402	KKR-Fix 350
83693404	KKR-Fix 450
83693406	KKR-Fix 550
83693408	KKR-Fix 750



83693422	FHS-SH Set*
83693423	FHS-SH 350
83693425	FHS-SH 450
83693427	FHS-SH 550
83693429	FHS-SH 750



83203058	EWX-PP-LS M25/P21
83203060	EWX-PP-LS M32/P29



83723458	ET 21
83723460	ET 29



83729010	KE
----------	----



83693201	R-SSR 63 UR3
83693202	R-SSR 75 UR5
83693203	R-SSR 90 UR10



83691462	SH/P M25-M32
----------	--------------



83692258	KEG/ZL-M25
83692260	KEG/ZL-M32



83691658	KMG/F-M25
83691660	KMG/F-M32



83693460	FHS-UHE M25/P21 Set*
83693461	FHS-UHE M25/P21 350
83693462	FHS-UHE M25/P21 450
83693463	FHS-UHE M25/P21 550
83693464	FHS-UHE M25/P21 750



83693465	FHS-UHE M32/P29 Set*
83693466	FHS-UHE M32/P29 350
83693467	FHS-UHE M32/P29 450
83693468	FHS-UHE M32/P29 550
83693469	FHS-UHE M32/P29 750



*Set beinhaltet vier Klettbänder in verschiedenen Längen

*Set includes four velcro straps in different lengths

Murrplastik Systemtechnik GmbH

Dieselstraße 10, 71570 Oppenweiler, Germany ☎ +49 7191 4820, www.murrplastik.de



MP8912835016

18



0601HU