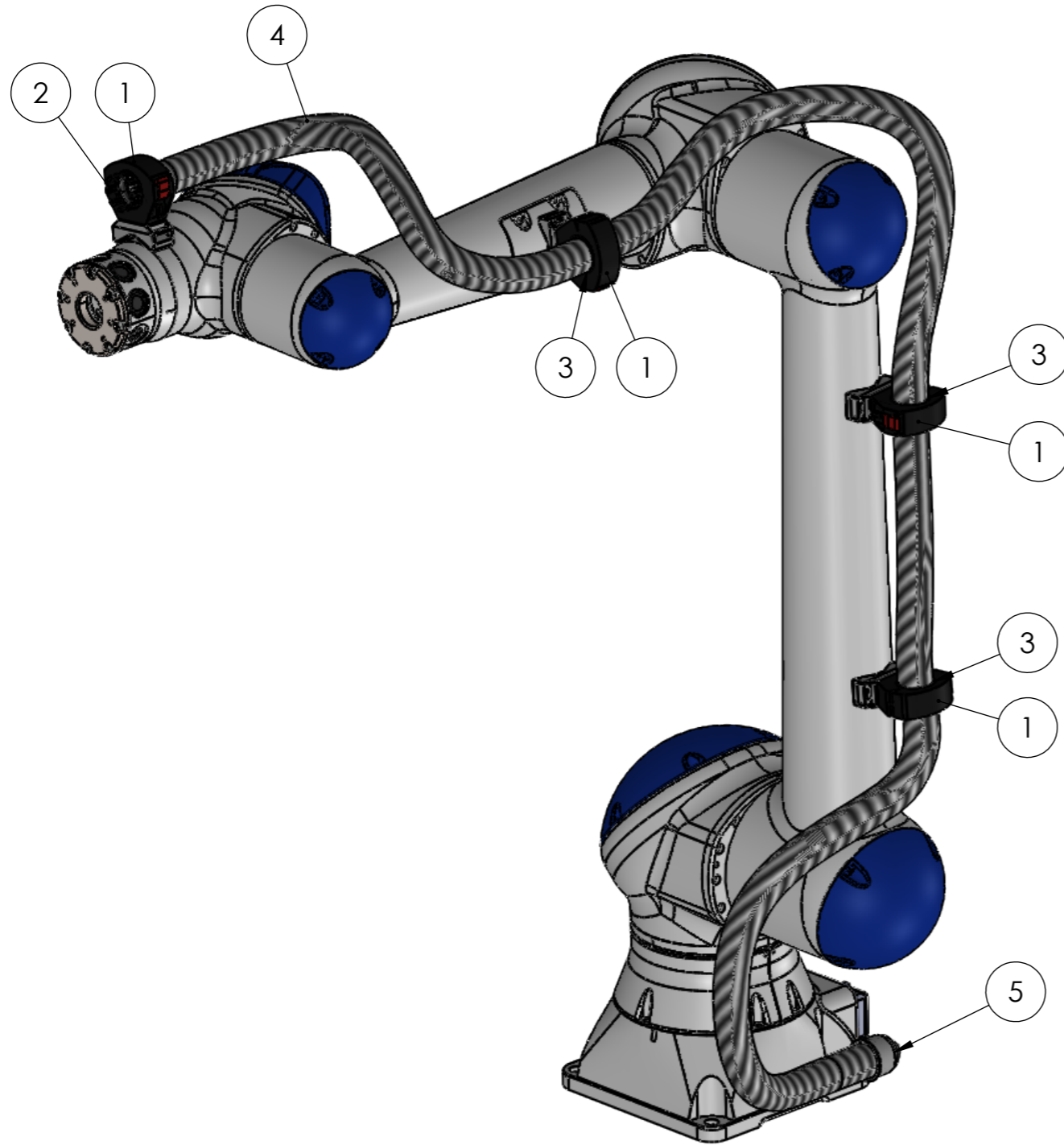




© 2016 MURRPLASTIK SYSTEMS, INC. THIS DOCUMENT IS THE SOLE AND EXCLUSIVE PROPERTY OF MURRPLASTIK SYSTEMS, INC. THE DOCUMENT AND ANY INFORMATION CONTAINED HEREIN MAY NOT BE COPIED, REPRODUCED OR USED IN ANY MANNER WITHOUT THE EXPRESS WRITTEN CONSENT OF MURRPLASTIK SYSTEMS, INC.

ITEM NO.	PART NUMBER	DESCRIPTION	QTY.
1	FHS-SH 450	83693425	4
2	83692260	Size 29 Ball Joint	1
3	83691660	Size 29 Fixed Ball Joint	3
4	83203060	EWX-PP-LS M32/P29	3.5 m
5	83723460	ET 29	1



UNLESS OTHERWISE SPECIFIED DIMENSIONS ARE IN MM TOLERANCES ARE: DECIMALS ANGLES X: ± .5 ± 1° .X: ± .25 .XX: ± .125	MATERIAL:	 Murrplastik Systems, Inc. 1175 US Highway 50 Milford, OH 45150 513-201-3069
	FINISH:	
 THIRD ANGLE PROJECTION	SCALE 1:6	TITLE Motoman HC10DT FHS Kits Dress Package, A1-A6
	APPROVALS	DATE
DO NOT SCALE DRAWING	DRAWN JM 2/24/2021	CHECKED DS 2/24/2021
	SIZE DWG. NO. A3 83693505	REV 0